

Multipost 110mm

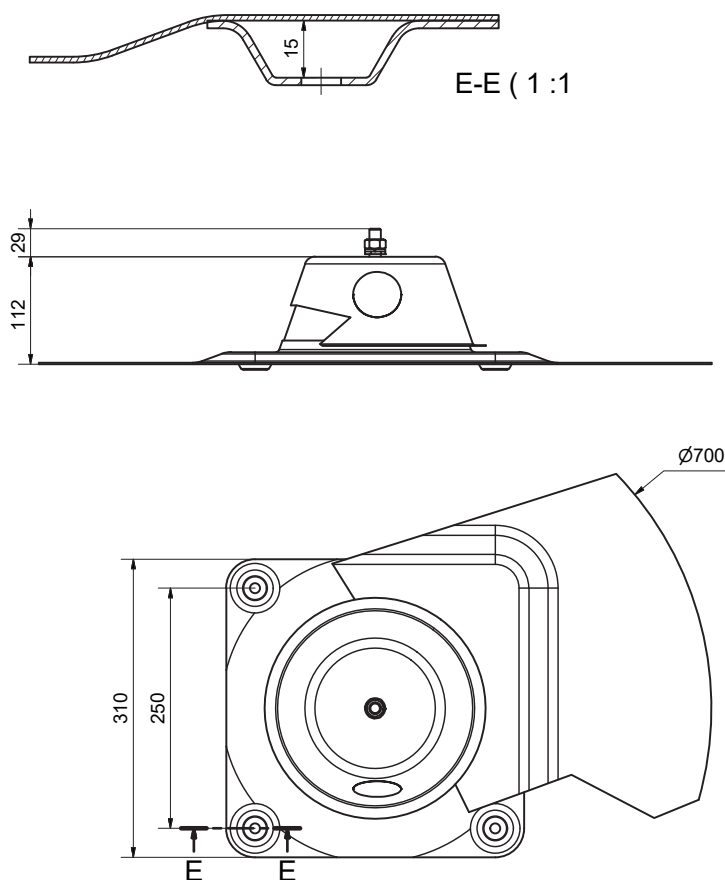
Code N° IDF022 / IDF023

Description

The Multipost is used for the end anchors and curves on hot deck roof. Fixed with 4 toggle bolts, it can be used on trapezoidal metal sheet, wooden panels (with thickness >22mm) or prefabricated concrete.

The prefitted PVC-P or bitumen membrane facilitates the watertightness.

KG	3,425 Kg for IDF023 5,315 Kg for IDF022	KN	12 KN	KN	> 24 KN
-----------	--	-----------	-------	-----------	---------



FALLPROTEC

December 2018



Compliant with EN795:2012
MADE IN EU



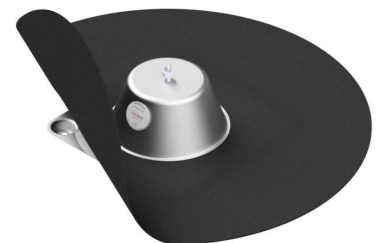
Material

AISI 304

IDF023: PVC collar

IDF022: bitumen collar

IDF022



IDF023

